

PKCELL[®]
Green energy, easy life



**PKCELL LITHIUM PRIMARY BATTERY
POWER THE WORLD FOR EASY LIFE**

SHENZHEN PKCELL BATTERY CO.,LTD.

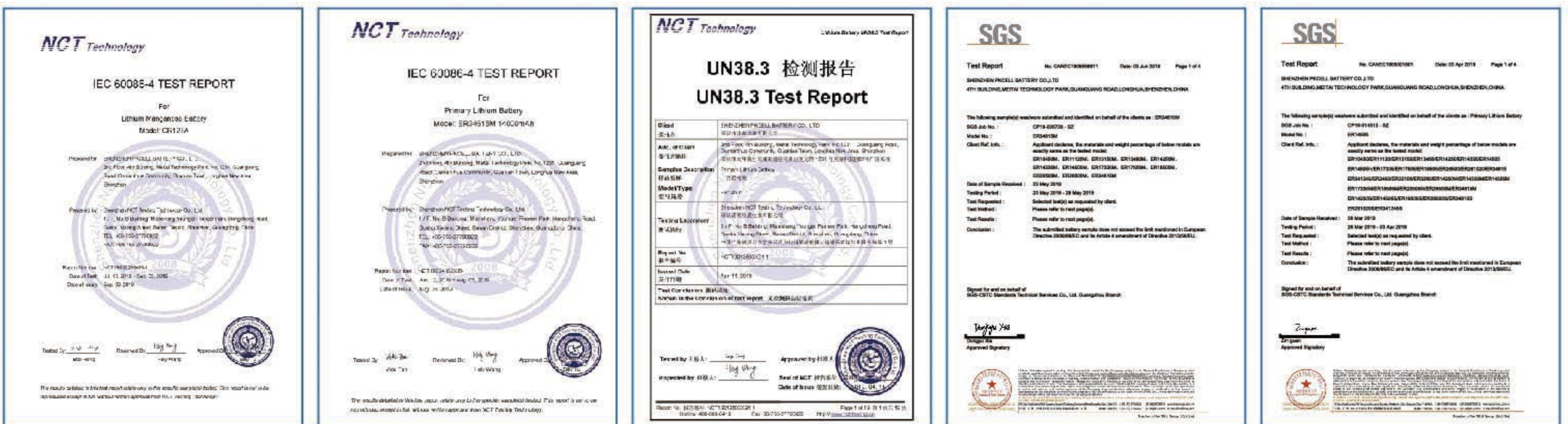
WWW.PKCELLPOWER.COM



COMPANY PROFILE

Shenzhen Pkcell Battery Co. Ltd is one of the largest battery manufacturing enterprises in China. We have branch offices in USA, Canada, DongGuan, Shenzhen, Wuhan, Changsha & Yongzhou. We produce Lithium dry batteries such as Li-SOCL2 battery, Li-MnO2 battery & Lithium button cells over 22 years, with CE, ROHS REACH, SGS, IEC, ISO, UL1642, MSDS & UN38.3 certificates.

- Fast delivery
- Quality guaranteed
- Superior shelf life
- High energy density
- Wide operating temperature range
- Low current self-discharge rate
- Stable operating voltage and loading voltage platform.
- Small, medium and high pulse discharge current. Available series like bobbin type, spiral type and battery packs.
- Long using life time, it can be used over 10-15 years(Depend on different working request)



FACTORY PHOTOS



Factory Panorama



Production Lines



Production Equipments

BATTERY APPLICATIONS

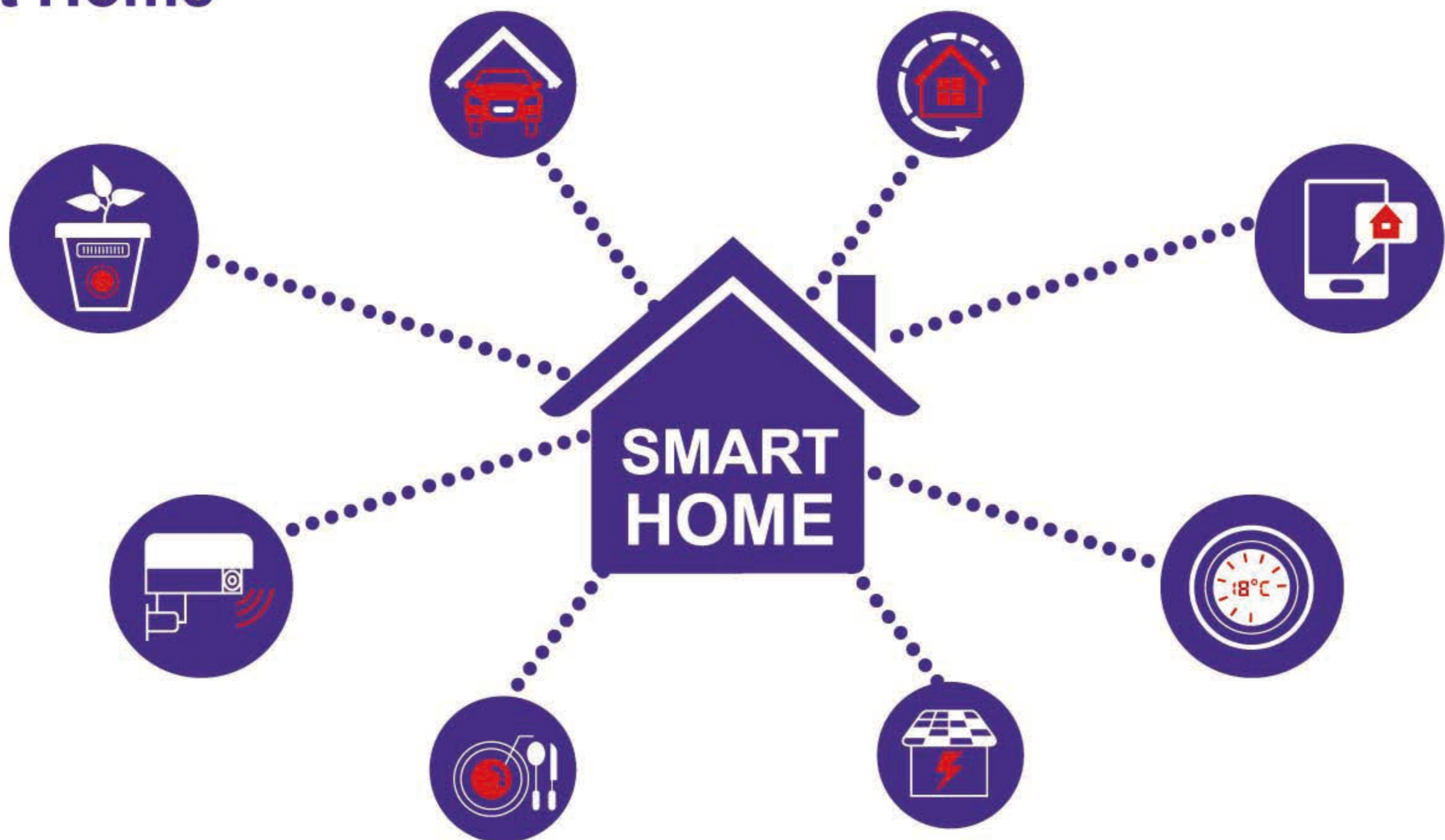
Battery	Main Size	Application Fields	Applicable Products
Li-SOCL2	ER261020 ER34615 ER26500 ER18505 ER14505 ER14250	Instrumentation	Smart Meters:Water Meter、Flowmeter、Heat Meter、Gas Meter、Electric Meter
			Sensors:Air Quality Sensor、Parking Sensor、Tracking Sensor
		Smart Security	Alarm System、Smart Bin、Smart Lock、Wireless Controller、
		Wisdom Animal Husbandry	Livestock Heat Stress Monitor、Cow Pedometer Irrigation Facilities
		IOT	Water&NBloT A、 IOT Outdoor Products
Li-MnO2	CR123A CR2	Instrumentation	Smart Meters:Water Meter、Flowmeter、Heat Meter、Gas Meter、Electric Meter;
		Smart Security	Walkie-Talkie、 Fire Safety Equipment
		Industrial Equipment	Rangefinder、 Diving Equipment
		Medical Equipment	Thermometer、 Defibrillators、 Oximeter
Li-Fe	FR14505 FR10445	Medical Equipment	Thermostatic Radiator Valve
		Electronic Product	Digital Camera、 MP3、 MP4
		Lighting Device	Flashlight
			Portable Device



IoT



Smart Home



Military Device



Ocean Equipment



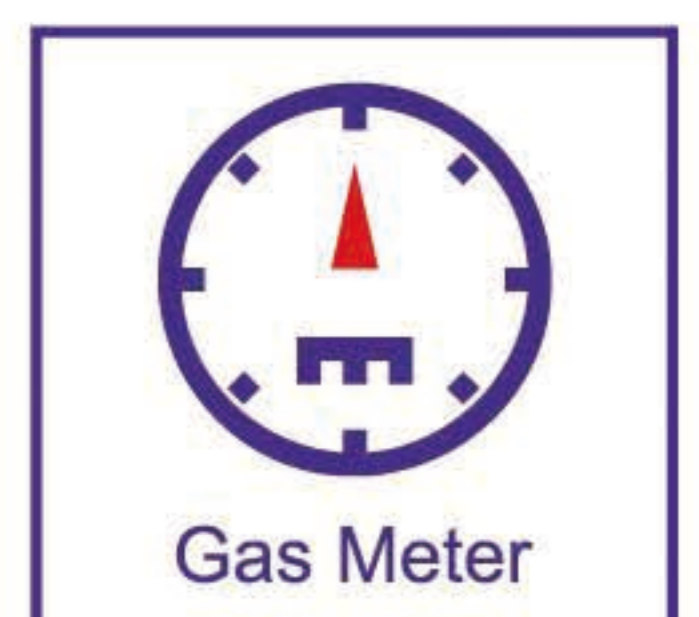
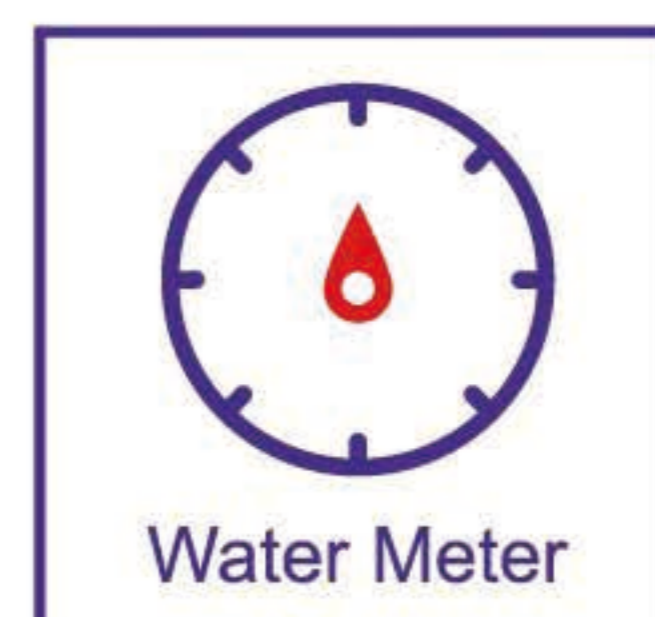
Medical Device



Security Device



Utility Meter





Li-SOCL2 Battery(Energy Type)

Model	IEC	Nominal Voltage (V)	Dimensions (mm)	Discharge Characteristics(23°)						
				Nominal Capacity (mAh)	Standard Current (mA)	Max Pulse Discharge Current (mA)	Max Continuous Discharge Current (mA)	Cut-off Voltage (V)	Weight Approx (g)	Operating Temperature (°C)
ER10250		3.6	10.0×45.0	400	0.5	5	10	2.0	5.0	-55~+85
ER10280		3.6	10.1×28.0	450	0.5	10	20	2	5.0	-55~+85
ER10450	AAA	3.6	10.5×45.5	800	1.0	25	60	2.0	9.0	-55~+85
ER13150		3.6	13.5×15.0	450	0.5	10	30	2.0	5.5	-55~+85
ER13170		3.6	13.5×17.8	500	0.5	10	20	2	7.0	-55~+85
ER14250	1/2AA	3.6	14.5×25.5	1200	0.5	20	45	2.0	10.0	-55~+85
ER14335	2/3AA	3.6	14.5×34.5	1650	1.3	75	150	2.0	13.0	-55~+85
ER14505	AA	3.6	14.5×50.5	2400	2.0	100	200	2.0	19.0	-55~+85
ER17335		3.6	17.0×34.0	2100	2.0	100	200	2.0	30.0	-55~+85
ER17505		3.6	17.0×50.5	3400	4.0	120	200	2.0	32.0	-55~+85
ER18505	A	3.6	18.5×50.5	4000	2.0	120	200	2.0	32.0	-55~+85
ER26500	C	3.6	26.5×50.5	9000	3.0	130	300	2.0	55.0	-55~+85
ER34615	D	3.6	34.5×61.5	19000	2.0	200	400	2.0	107.0	-55~+85
ER261020		3.6	26.5×102.0	16000	3.0	200	400	2.0	100.0	-55~+85
ER341245		3.6	34.2×124.5	35000	10.0	400	500	2.0	220.0	-55~+85
ER9V	9V	10.8	26.5×17.5×48.5	1200	0.5	25	50	6	16.0	-55~+85



Li-SOCL2 Battery(Power Type)

Model	IEC	Nominal Voltage (V)	Dimensions (mm)	Discharge Characteristics(23°)						
				Nominal Capacity (mAh)	Standard Current (mA)	Max Pulse Discharge Current (mA)	Max Continuous Discharge Current (mA)	Cut-off Voltage (V)	Weight Approx (g)	Operating Temperature (°C)
ER14250M	1/2AA	3.6	14.5×25.5	750	4.0	120	250	2.0	10.0	-55~+85
ER14335M	2/3AA	3.6	14.5×34.5	1200	4.0	300	500	2.0	13.0	-55~+85
ER14505M	AA	3.6	14.5×50.5	1800	10.0	500	1000	2.0	19.0	-55~+85
ER17335M		3.6	17.0×34.5	1700	5.0	500	1000	2.0	20.0	-55~+85
ER17505M		3.6	17.0×50.5	2800	10.0	600	1200	2.0	29.0	-55~+85
ER18505M	A	3.6	18.5×50.5	3200	10.0	500	1500	2.0	32.0	-55~+85
ER26500M	C	3.6	26.5×50.5	6500	10.0	1000	2000	2.0	55.0	-55~+85
ER34615M	D	3.6	34.5×61.5	14000	10.0	2000	3000	2.0	106.0	-55~+85
ER261020M	CC	3.6	26.5×102.0	13000	10.0	1000	2500	2.0	100.0	-55~+85



Li-SOCL2 Battery+Capacitor

A perfect IoT power solution.

The high-capacity ER battery with the capacitor battery can ensure the battery pack's service life & pulse current capability.

It could match the application conditions of long standby & high pulse current of IoT equipments.

Model	Nominal Voltage (V)	Nominal Capacity (mAh)	Max.Pulse Current (mA)	Size(mm)L*W*H
ER14505+HPC1520	3.6	2700	2000	55*33*16.5
ER18505+HPC1530	3.6	4000	3000	55*37*20
ER34615+HPC1550	3.6	19000	5000	64*53*35.5
ER10450+LIC0813	3.6	800	500	50*22*50
ER14250+LIC0820	3.6	1200	1000	29*26.5*16.5
ER14505+LIC1020	3.6	2700	3000	55*28.5*16.5
ER26500+LIC1320	3.6	9000	5000	55*43.5*28
ER34615+LIC1620	3.6	19000	10000	64*54*35.5
ER34615+LIC1840	3.6	19000	30000	64*56*35.5



Li-MnO₂ Battery

Model IEC	Dimensions (mm)	Nominal Voltage (V)	Cut-off Voltage (V)	Nominal Capacity (mAh)	Max.Constant Current (mA)	Max Continuous Discharge Current (mA)	Reference Weight (g)	Test Temperature (°C)
CR2	15.5×27.5	3.0	2.0	850	1000	2000	13	23±3
CR123A	17×34.5	3.0	2.0	1500	1500	3000	20	23±3
CR14250	1/2AA 14.5×25.5	3.0	2.0	650	500	1500	11	23±3
CR14335	1/3AA 14.5×34.5	3.0	2.0	800	500	1200	14	23±3
CR14505	AA 14.5×50.5	3.0	2.0	1400	1500	3000	21	23±3
CR17450	17×40	3.0	2.0	2000	1500	3000	26	23±3
CR17505	17.5×50.5	3.0	2.0	2300	1500	3000	30	23±3
CR18505	A 18.5×50.5	3.0	2.0	2500	2000	3000	35	23±3
CR26500	C 26.5×50.5	3.0	2.0	5400	2000	3000	62	23±3
CR34615	D 34.5×61.5	3.0	2.0	12000	2000	3000	125	23±3
CR-P2	34.4×35.8×19.5	6.0	2.0	1400	1500	3000	42	23±3



Li-Fe Battery

Model IEC	Nominal Capacity (mAh)	Nominal Voltage (V)	Dimensions (D*H)	Max. Continuous Discharge Current	Storage Life	Cut-off Voltage (V)	Reference Weight (g)	Operating Temperature (°C)
FR14505 AA	2900mAh	1.5	14.5×50.5	2000mA	10 years	0.8	16.8	-20~+60
FR10445 AAA	1200mAh	1.5	10.5×44.5	1000mA	10 years	0.8	7.7	-20~+60

Lithium Button Battery (Normal)



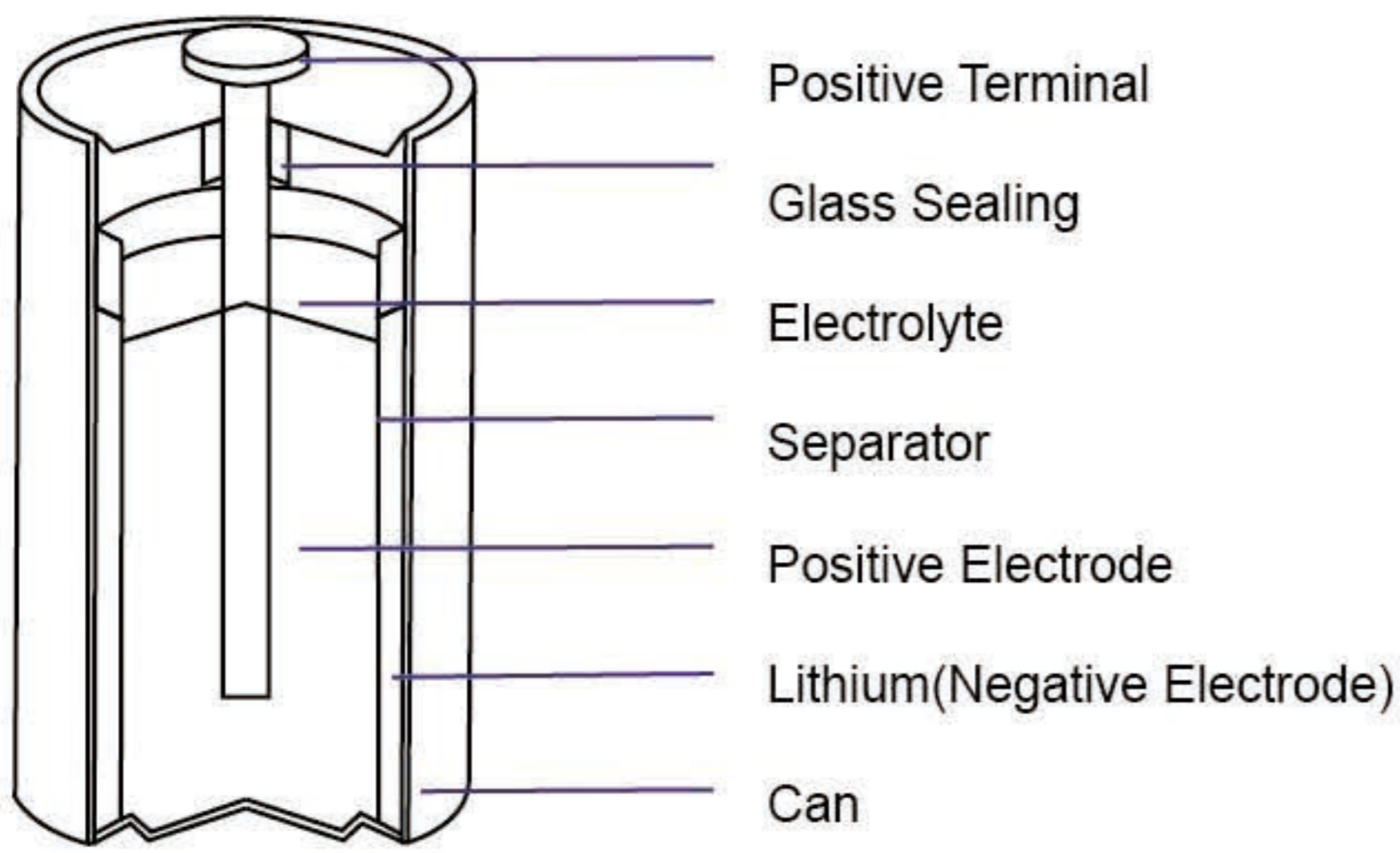
Item No.	System	Normal Voltage (V)	Capacity (mAh)	Dimension (mm)	Weight (g)	Recommended Continuous Drain (mA)	Recommended Pulse Drain (mA)
CR927	Lithium	3.0	30	9.5×2.7	0.6	0.5	5
CR1216	Lithium	3.0	25	12.5×1.6	0.7	1.0	5
CR1220	Lithium	3.0	40	12.5×2.0	0.9	1.0	5
CR1225	Lithium	3.0	50	12.5×2.5	1.0	2.0	5
CR1616	Lithium	3.0	50	16.0×1.6	1.2	2.0	10
CR1620	Lithium	3.0	70	16.0×2.0	1.6	2.0	10
CR1632	Lithium	3.0	120	16.0×3.2	1.3	2.0	15
CR2016	Lithium	3.0	75	20.0×1.6	1.8	2.0	15
CR2025	Lithium	3.0	150	20.0×2.5	2.4	2.0	15
CR2032	Lithium	3.0	210	20.0×3.2	3.0	3.0	20
CR2032	Lithium	3.0	220	20.0×3.2	3.1	3.0	20
CR2320	Lithium	3.0	130	23.0×2.0	3.0	3.0	20
CR2325	Lithium	3.0	210	23.0×2.5	3.5	3.0	20
CR2330	Lithium	3.0	260	23.0×3.0	4.0	3.0	20
CR2430	Lithium	3.0	270	24.5×3.0	4.5	3.0	20
CR2450	Lithium	3.0	600	24.5×5.0	6.2	3.0	20
CR2477	Lithium	3.0	900	24.5×7.7	7.0	3.0	10
CR2477	Lithium	3.0	1000	24.5×7.7	9.9	3.0	30
CR3032	Lithium	3.0	580	30.0×3.2	6.8	3.0	20

Lithium Button Battery (Special)

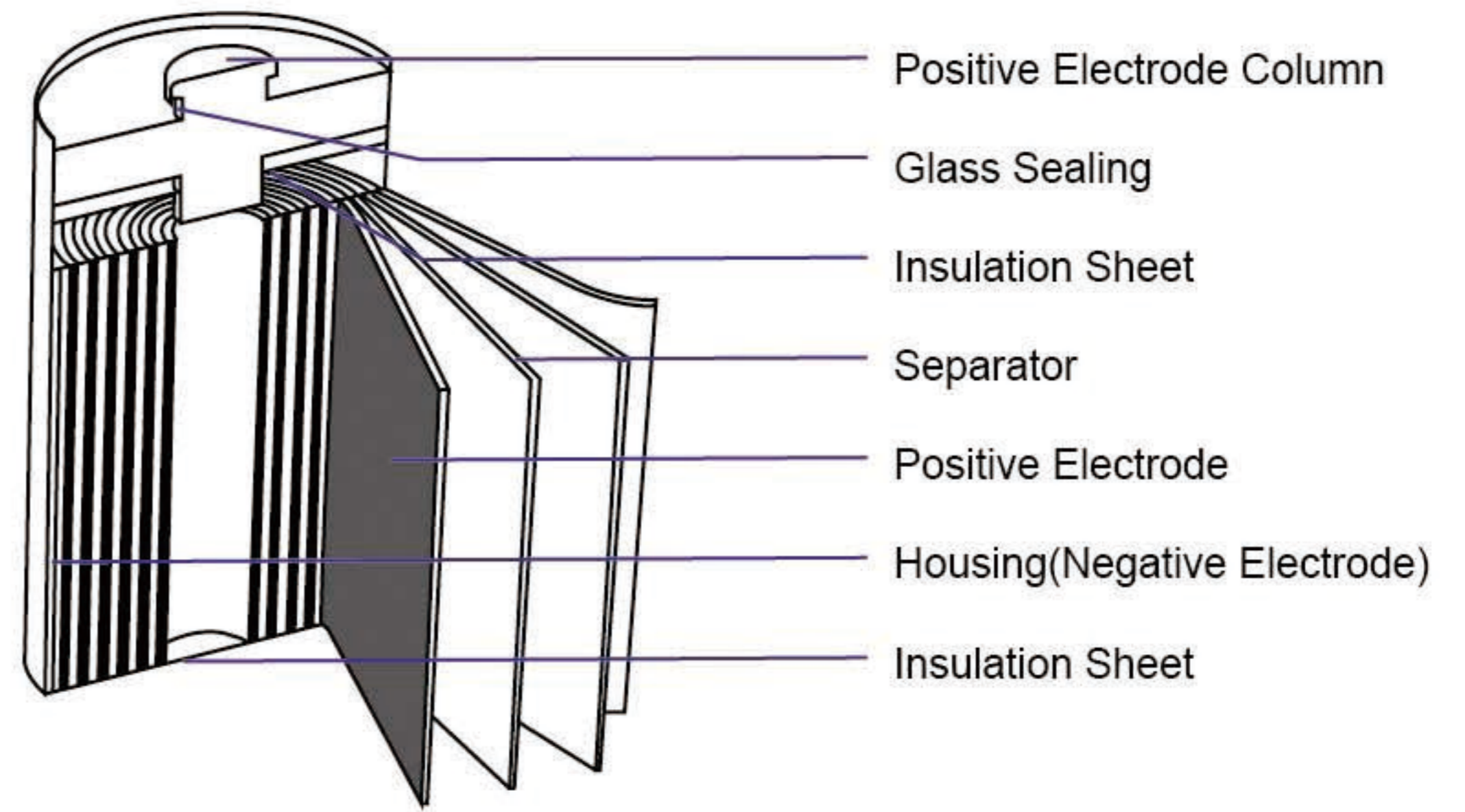


	Model	Nominal Voltage (V)	Operating Temperature (°C)	Application Fields
Wide Temperature Battery (WT Series)	CR1220WT	3V	-40-85°C	Industrial Control, Server, Outdoor Monitoring Equipment, Medical Equipment
	CR1225WT			
	CR1620WT			
	CR1632WT			
	CR2016WT			
Low Temperature Battery (LT Series)	CR1632LT	3V	-55-60°C	Animal Husbandry Ear Tag, Cold Chain Transportation
	CR2032LT			
Electronic Shelf Label Battery (WSL Series)	CR2430LT	3V	-20-70°C	Electronic Shelf Label
	CR2450ESL			
Lithium Carbon Fluoride Battery (BR Series)	CR2450WT	3V	-40-85°C	Photovoltaic Inverter, Server, Medical Equipment, Military Industry
	CR2477WT			
	BR1225			
	BR1632			
Car Remote Control Battery (CRC Series)	BR2025	3V	-20-70°C	For Car Remote Control (More durable than normal batteries)
	BR2032			
	BR2325			
	BR2330			
	BR2450			
	BR2477			
	CR2016CRC			
	CR2025CRC			
	CR2032CRC			

Bobbin Type



Spiral Type



Pin



2PT



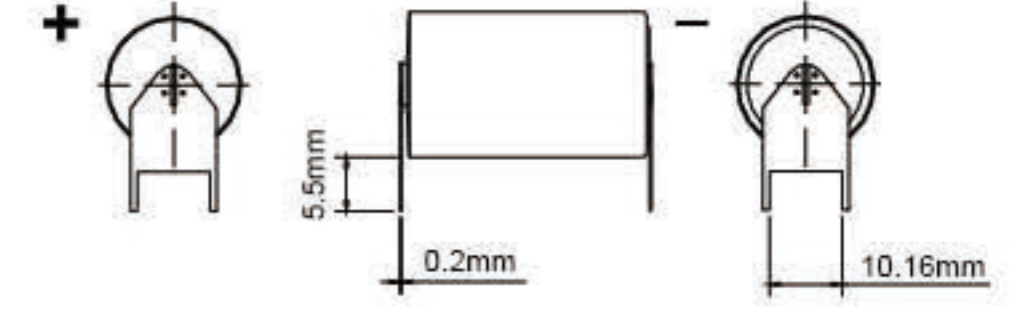
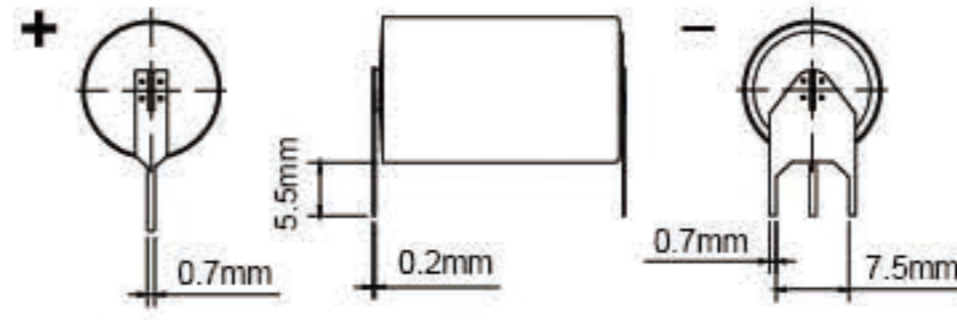
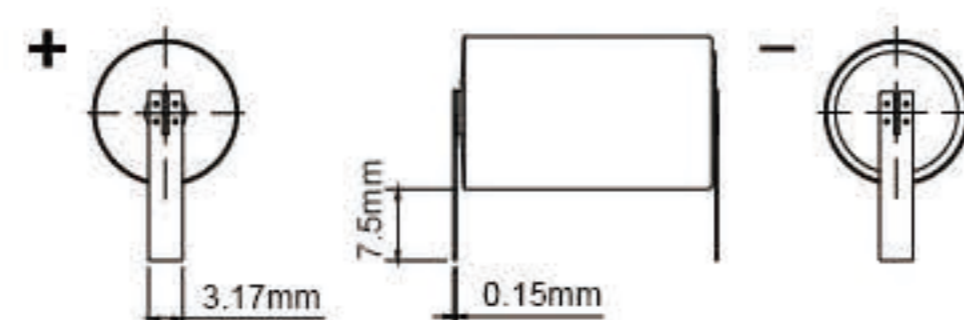
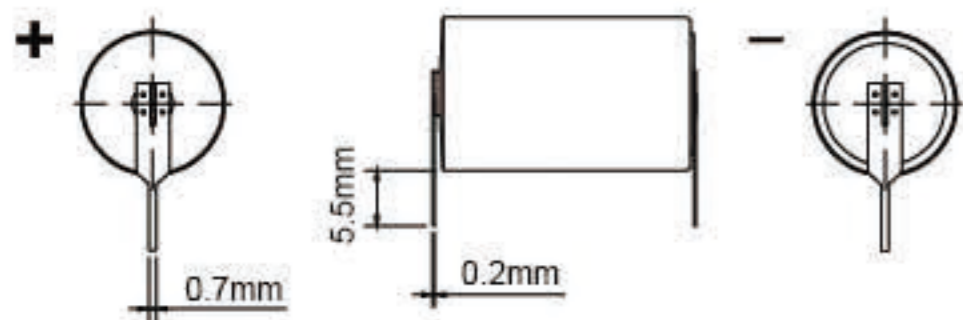
T



3PT



4PF



Lead wire

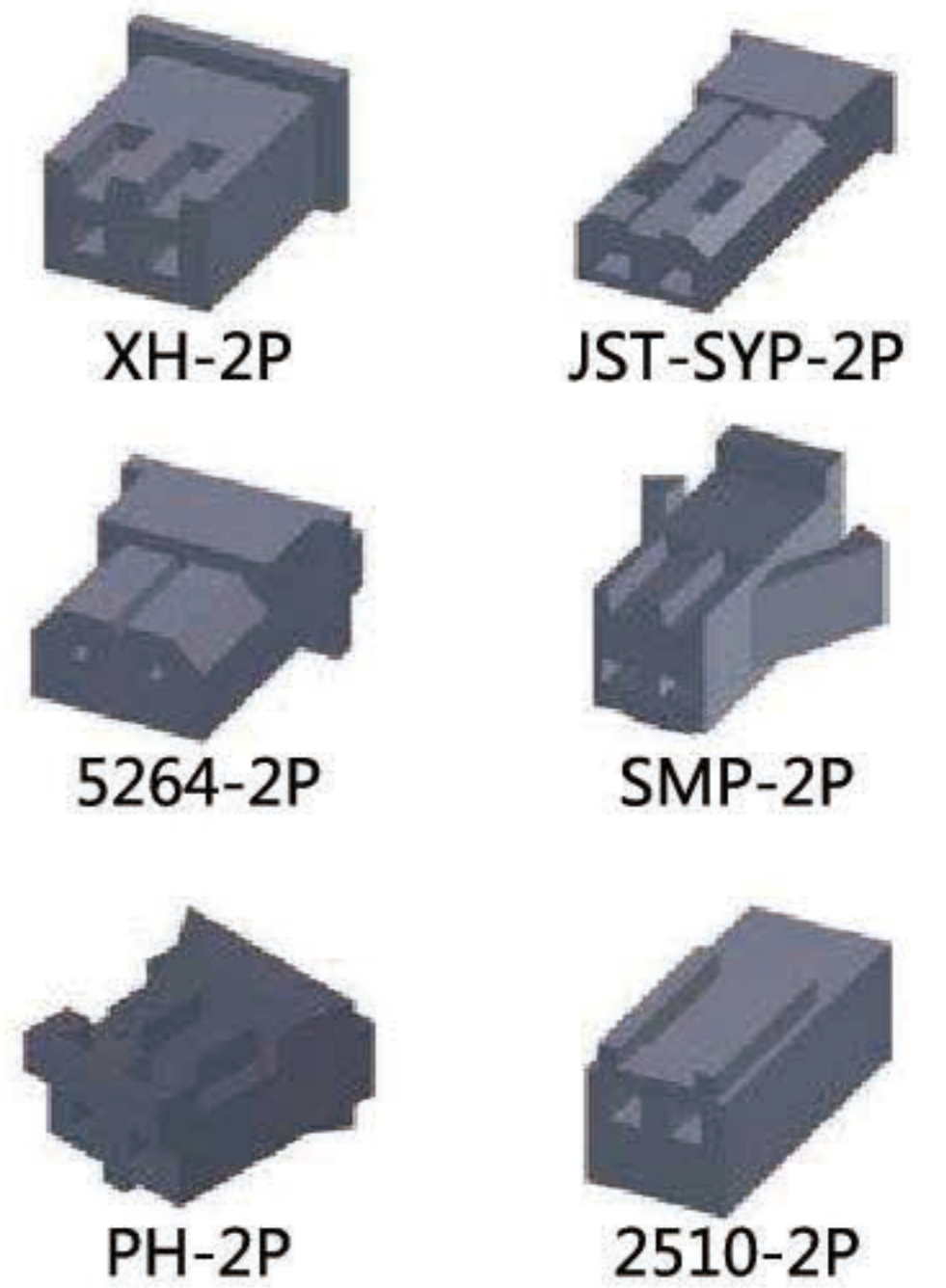
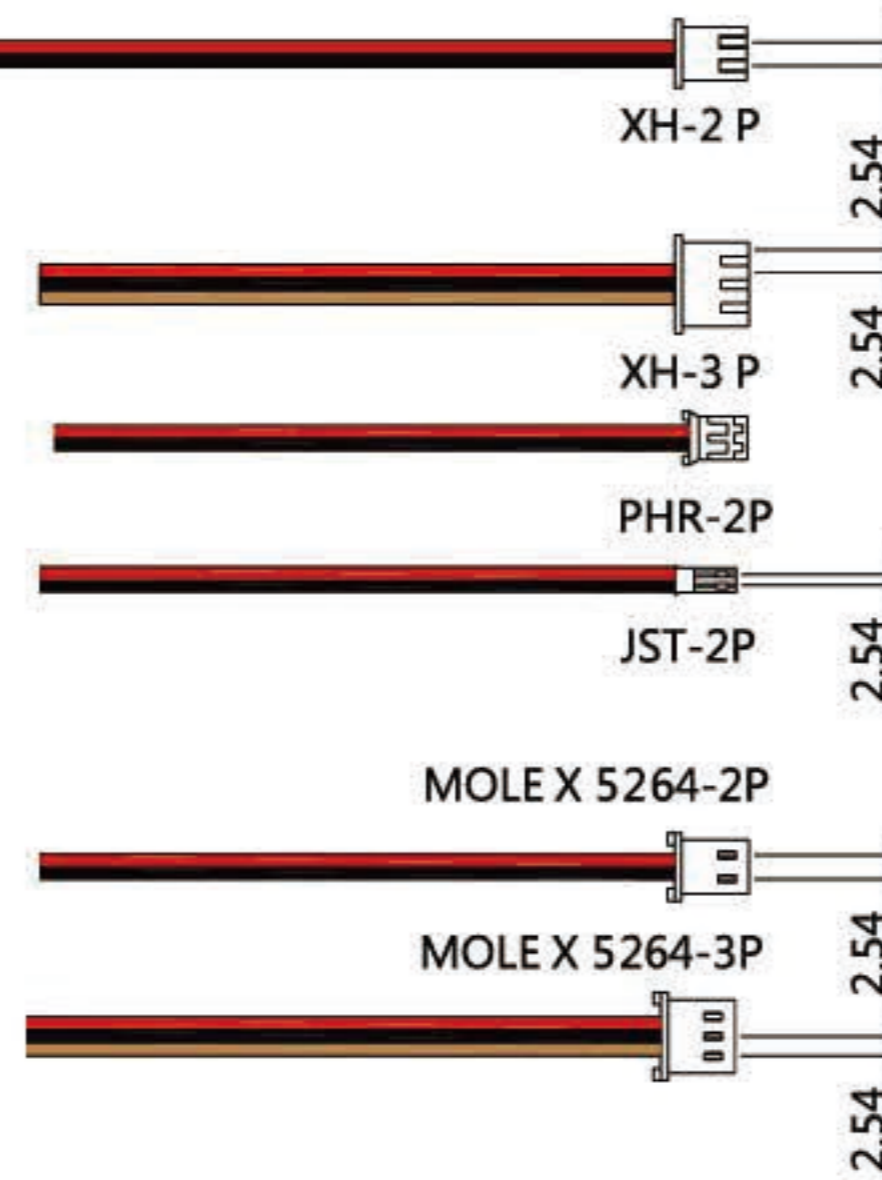
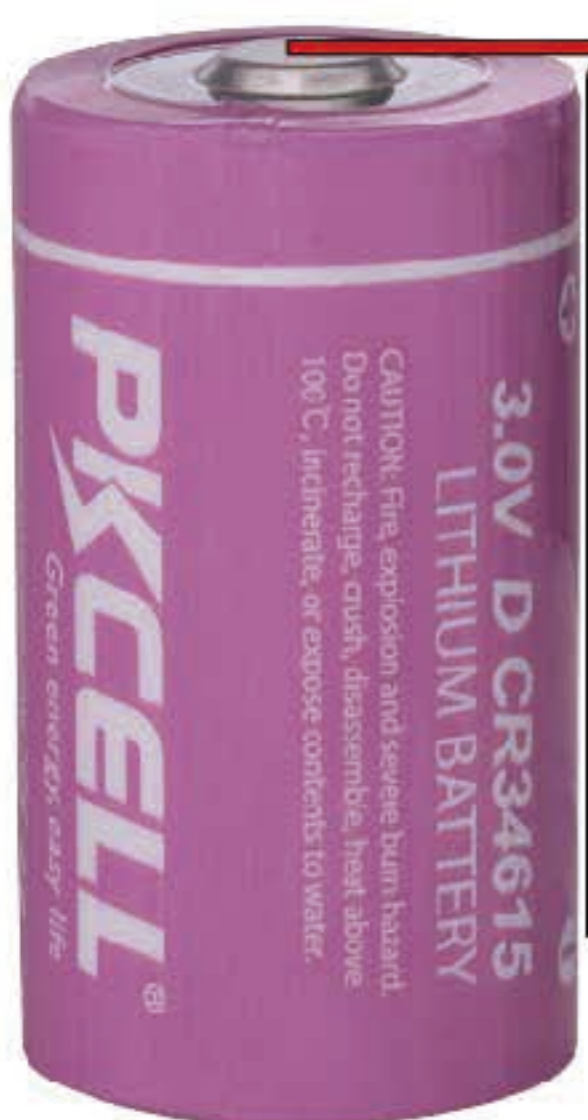


Axial
0.8*45mm



Lead

Connector



Battery Pack





SHENZHEN PKCELL BATTERY CO.,LTD

Address: 7th Floor, block B, Yicheng Huanzhi center, Renmin Road,
Longhua District, Shenzhen, China.518109

Tel : 86-755-86670672(switchboard)

Fax: 86-755-86670609

Website: www.pkcellpower.com

E-mail: info@pkcellpower.com